

## Self-contained wireless control panel DS-3264W



### Key Features

In today's connected world, there is no place for systems that inhibit upgrades or restrict additional devices. Security systems can offer so much more than basic security; increased security, monitoring, safety, perimeter protection and building automation all require systems that can support a large number and a wide range of devices. With the introduction of the DS-3264W, DISCOVERY is removing these limitations and allowing end users and installers to benefit from increased system capabilities.

### Outstanding features:

DS-3264W
Increased zone capacity on DISCOVERY enabled wireless panels
Facilitates more devices per system to support increased security, safety and automation device requirements
32 on-board wireless zones; expandable to 64 wireless zones
On-board LCD Keypad with Prox Reader
EN50131-1, EN50131-3, EN50131-5-3 PD6662 Grade 2 Class II



## Key Features

Product Name	
Maximum number of zones	76
Maximum number of wireless zones	64
Number of wired zones (onboard)	4
Event log time & date stamped	500
SMS text messaging	/
Plug on digimodem	/
Single pole zone wiring	/
End of line wiring	/
Part sets	3 PER AREA
Programmable outputs (control panel)	4

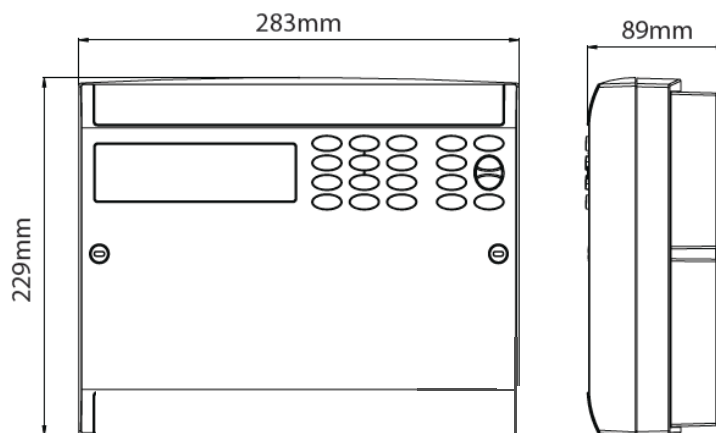
## Performance

Max. number of keypads (1 on-board)	4
Max. number of areas	4
Max. number of user codes	50

## Standards & Specifications

Alarm system	EN50131-5-3, EN50131-3, EN50131-1, PD6662, Grade 2 Class II
Product type & frequency band	GEXA1000 : 868.2 – 868.4MHz GEXA3000 : 866.0 – 866.6MHz
EMC	EN 50130-4: 2011 ETSI EN 301 489-3 V2.2.1
EMC environment	Residential/Commercial Light Industrial/Industrial
Environmental	EN 50130-5
Radio	ETSI EN 300-220-2 (V3.1.1)
Operating temperature	/ -10° to 40°C (95% Humidity non condensing)
Storage temperature	-20°C to +60°C

## Dimensions and weight



1.7g approx.